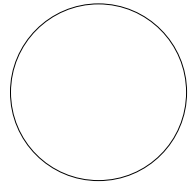


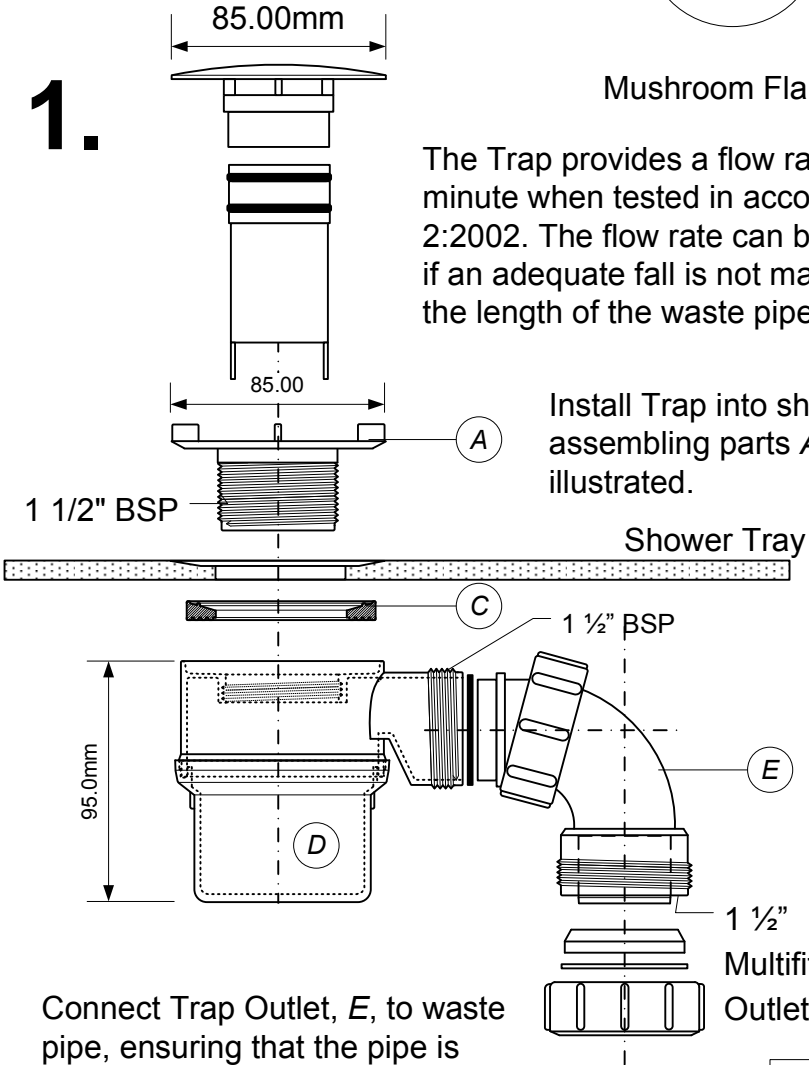
85mm x 50mm WATER SEAL SHOWER TRAP

STW6M-95 STW8M-95

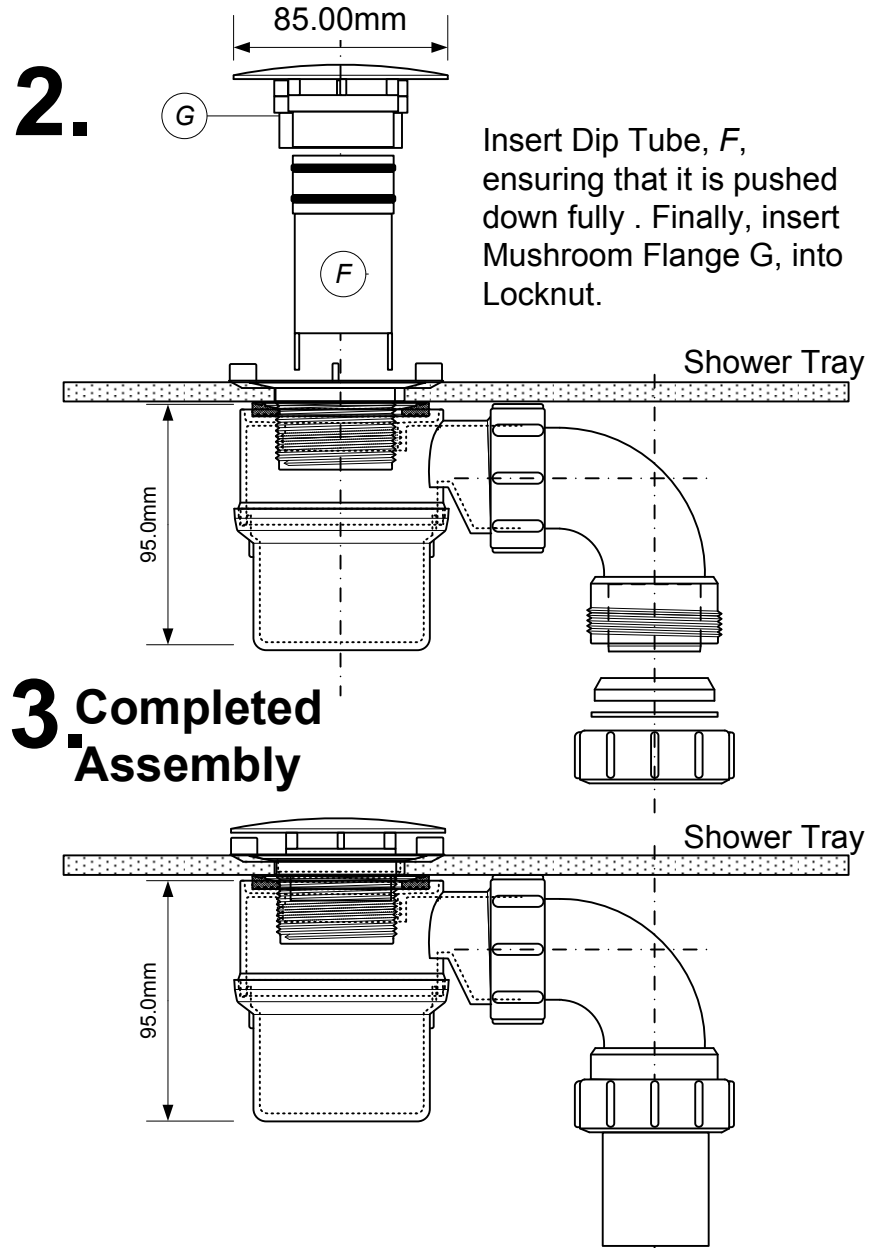


Mushroom Flange

The Trap provides a flow rate of 20 litres per minute when tested in accordance with EN274-2:2002. The flow rate can be seriously impaired if an adequate fall is not maintained throughout the length of the waste pipe.



Connect Trap Outlet, E, to waste pipe, ensuring that the pipe is adequately supported. Test the installation.



Insert Dip Tube, F, ensuring that it is pushed down fully. Finally, insert Mushroom Flange G, into Locknut.

3 Completed Assembly

After Care:

Regular maintenance is essential to retain a high performance flow rate. Remove the Mushroom Flange, G, and Dip Tube, F, and thoroughly clean all the parts. Flush through the Trap Body with clean water and carefully replace the parts.