

1 ½" Shower Trap
With Top Access
 Standard Waste and Grid

Fixing Instructions

1. Place Rubber Seal (4) in recess on top of Trap (5) and offer up this assembly to underside of Shower Tray.
2. Apply **NEUTRAL SILICONE SEALANT*** (Dow Corning 794 or equivalent) between threaded Waste Flange (3) and Shower Tray.
3. Position Trap Outlet in desired position** and screw Waste (3) into Trap (5) using Spanner (6).

DO NOT OVERTIGHTEN, HAND TURN + ¼ TURN IS SUFFICIENT.

DO NOT USE TRAP TO TIGHTEN ASSEMBLY.

DO NOT USE TRAP TO SUPPORT TRAY.

4. Test the installation.

* Only use a Neutral Silicone Sealant – other sealants can attack and damage the Trap and Waste

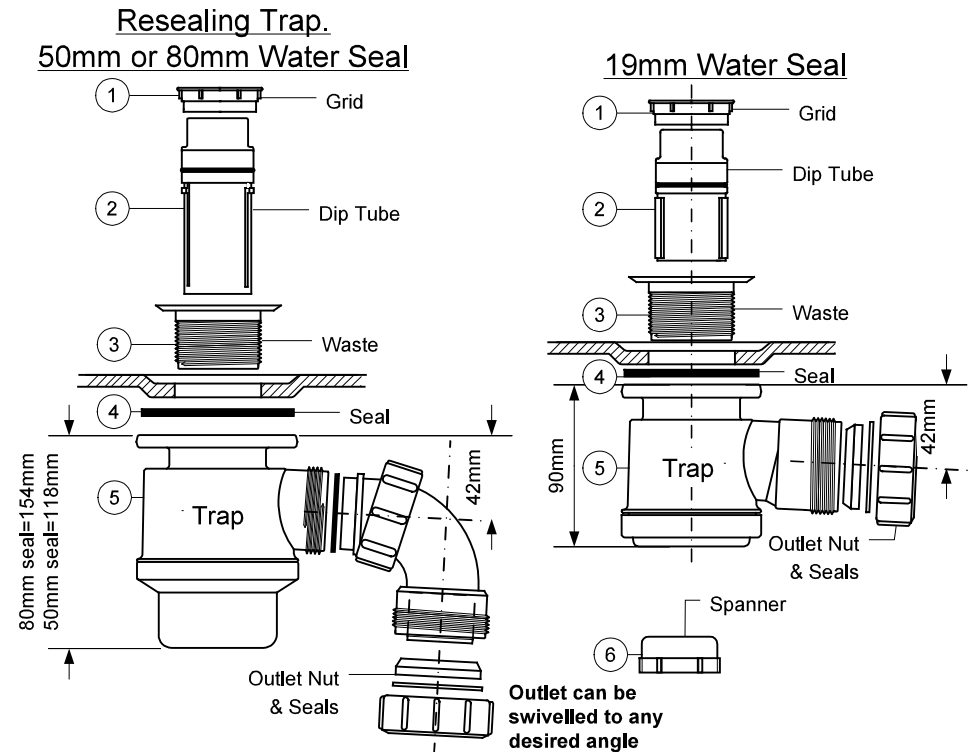
** It is possible to fully fit the Trap to the Shower Tray before Tray is placed in final position



McAlpine & Co. Ltd
 Kelvin Avenue, Hillington, Glasgow, G52 4LF
 Tel: 0141 882 3213 Fax: 0141 891 5065

© McALPINE
 February 2006

RETAIN FOR HOUSEHOLDER



Trap Maintenance

To maintain high performance discharge rate, this Trap may require cleaning as follows:-

1. Remove Grid (1).
2. Remove Dip Tube (2) by turning anti-clockwise and pulling upwards.
3. Remove any hair and debris.
4. Flush Trap through with clean water.
5. Replace Dip Tube (2) and Grid (1).

Note:

Care should be taken not to damage or distort the Dip Tube 'O' seal. Should a replacement 'O' seal be necessary, replacement seals can be purchased from a Plumber's Merchant, McAlpine Code: CARD-31

DO NOT POUR ANY CHEMICAL DRAIN CLEANER DOWN THE TRAP

1 ½" Shower Trap
With Top Access
 Mushroom Flange

Fixing Instructions

1. Place Rubber Seal (4) in recess on top of Trap (5) and offer up this assembly to underside of Shower Tray.
2. Apply **NEUTRAL SILICONE SEALANT*** (Dow Corning 794 or equivalent) between threaded Waste Flange (3) and Shower Tray.
3. Position Trap Outlet in desired position** and screw Waste (3) into Trap (5).

DO NOT OVERTIGHTEN, HAND TURN + ¼ TURN IS SUFFICIENT.

DO NOT USE TRAP TO TIGHTEN ASSEMBLY.

DO NOT USE TRAP TO SUPPORT TRAY.

4. Place Mushroom Flange (1) into Waste (3).
5. Test the Installation.

* Only use a Neutral Silicone Sealant – other sealants can attack and damage the Trap and Waste

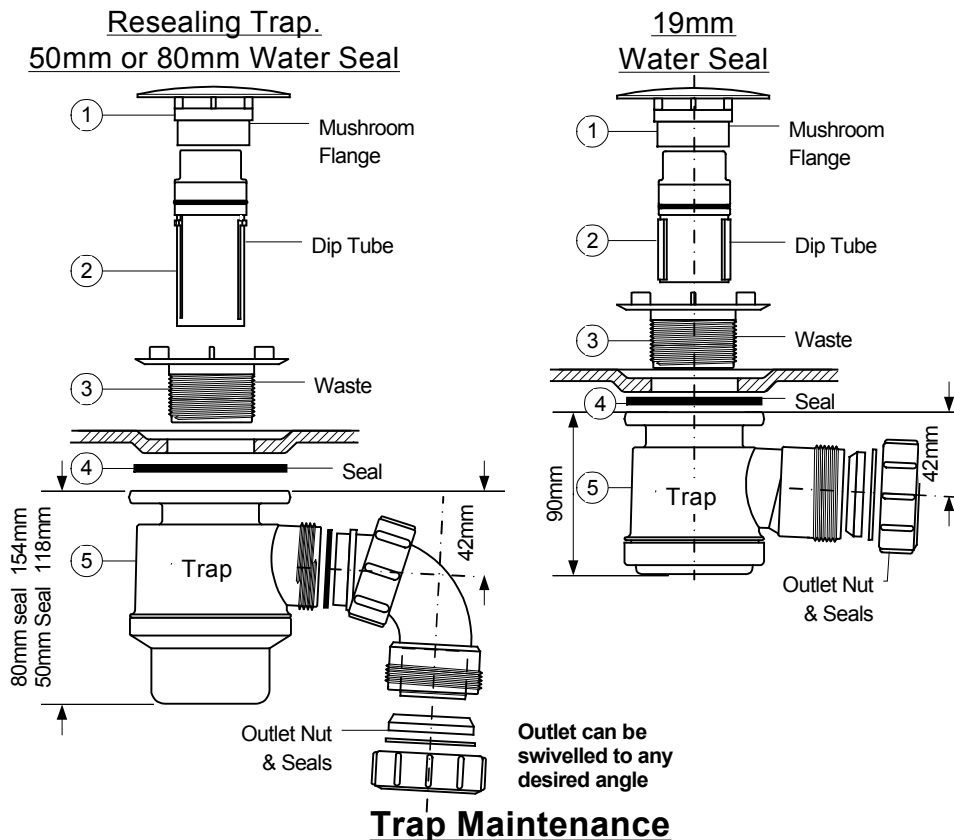
** It is possible to fully fit the Trap to the Shower Tray before Tray is placed in final position



McAlpine & Co. Ltd
 Kelvin Avenue, Hillington, Glasgow, G52 4LF
 Tel: 0141 882 3213 Fax: 0141 891 5065

© McALPINE
 February 2006

RETAIN FOR HOUSEHOLDER



To maintain high performance discharge rate, this Trap may require cleaning as follows:-

1. Remove Mushroom Flange (1).
2. Remove Dip Tube (2) by turning anti-clockwise and pulling upwards.
3. Remove any hair and debris.
4. Flush Trap through with clean water.
5. Replace Dip Tube (2) and Mushroom Flange (1).

Note:

Care should be taken not to damage or distort the Dip Tube 'O' seal. Should a replacement 'O' seal be necessary, replacement seals can be purchased from a Plumber's Merchant, McAlpine Code: CARD-31

DO NOT POUR ANY CHEMICAL DRAIN CLEANER DOWN THE TRAP