

# ASSEMBLY GUIDE



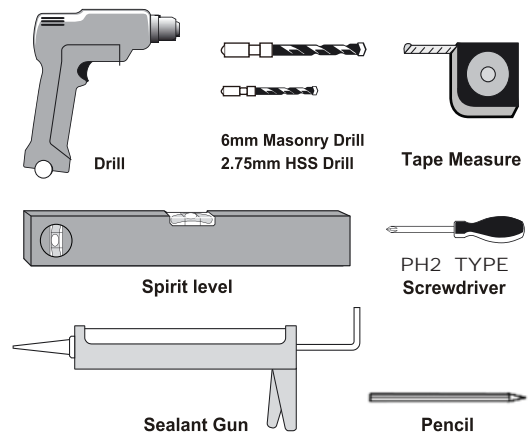
## INSTALLATION GUIDE AQUADART QUADRANT

### MANUAL ALSO APPLIES TO:

SLIDER ENCLOSURE (pictured) (1000) AQ5088 (1200) AQ5089



### Tools Required:



### Parts List:

Item	Description	Qty
1..	Fixed panel	1
2..	Sealing gasket	1
3..	Horizontal rail	2
4..	Wall Channel	2
5..	Door	1
6..	Handle set	1
7..	ST3.5x10 Short Screws	6
8..	ST4x45 Long Screws	6
9..	ST3.5x40 Fixing Screws	8
10..	Wall plugs	6
11..	Cover Caps(4xtop 2xvertical)	4
12..	Magnet profile	1
13..	Magnet	1
14..	Magnet plastic extrusion	1
15..	Water seal ( short + long)	2
16..	Small Seal stoppers	2

### ASSEMBLY INSTRUCTIONS    IMPORTANT PLEASE READ

The cubicle can be constructed either way up, for left or right hand opening.

These instructions and list of parts assume that installation is done against solid/tiled walls.

Please check that all parts are included using the parts list provided.

Please check this product for damage prior to starting the installation. No claims can be made after the product has been fitted.

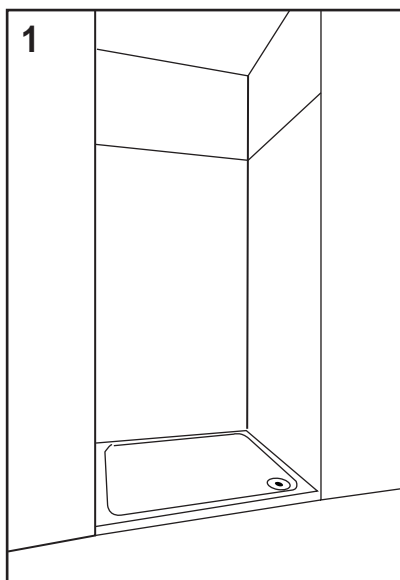
This is a 2 person installation

PLEASE NOTE :The minimum and maximum adjustment sizes noted on the product brochures are based on perfectly plumb walls and trays.

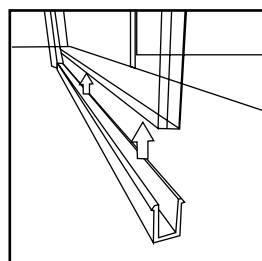
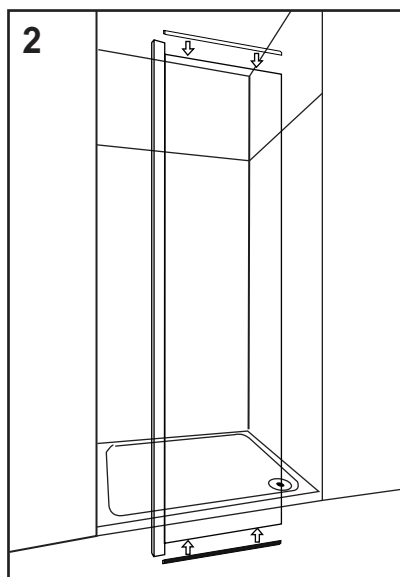
# ASSEMBLY GUIDE



## INSTALLATION GUIDE AQUADART QUADRANT



1 - Install the shower tray following the tray installation guide.

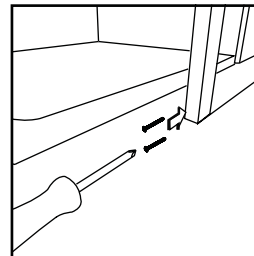
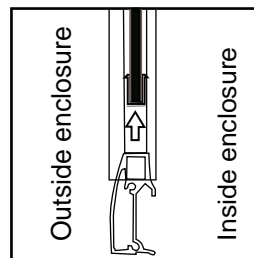
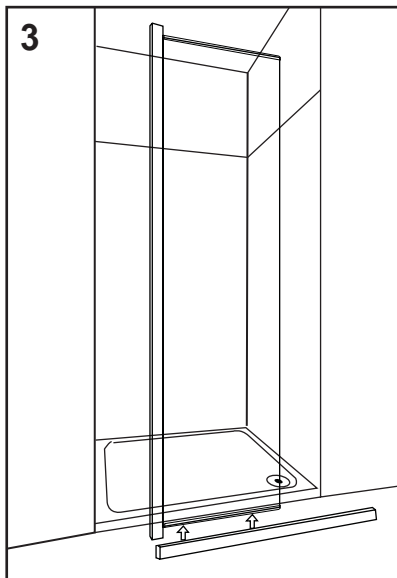


2 - take the sealing gasket ( item2 ) and cut 2 pieces the same length as the top and bottom edges of the glass in the fixed panel ( item1 ). Then push the 2 pieces of sealing gasket onto the top and bottom of the fixed panel glass.

# ASSEMBLY GUIDE

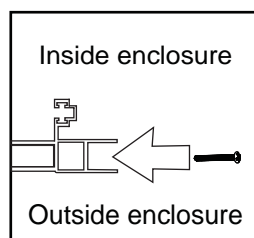
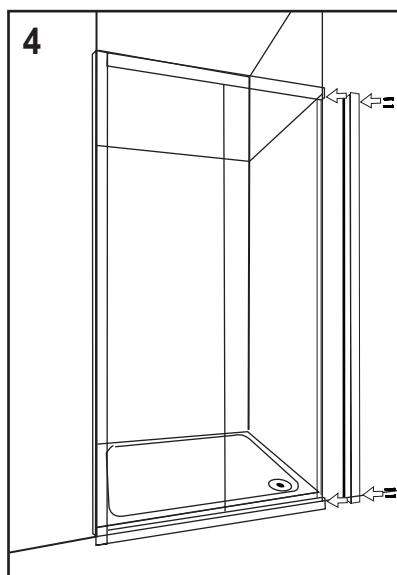


## INSTALLATION GUIDE AQUADART QUADRANT



3 - Push 1 x horizontal rail ( item 3 ) onto the bottom of the fixed panel ( the Sealing Gasket on the bottom of the fixed panel should fit into the groove in the horizontal rail as illustrated) then fix the two pieces together using 2xST3.5 X 40 fixing screws through the metal profile of the fixed panel and into the end of the horizontal rail, Repeat for the top rail ( item 3 ).

NOTE: The channel that runs the length of the horizontal rails must face into the shower enclosure and the smooth curved edge must face out of the enclosure.



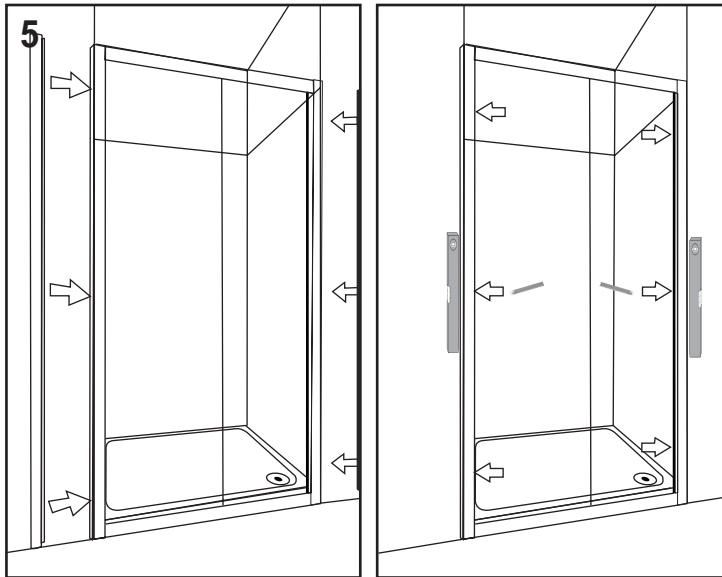
(item 12)

4 - Fix the metal magnet profile ( item 12 ) to the top and bottom rail using 2 x ST3.5 x 40 fixing screws per rail through the magnet profile and into the end of the horizontal rails , ensure that the magnet profile faces the correct direction as illustrated.

# ASSEMBLY GUIDE



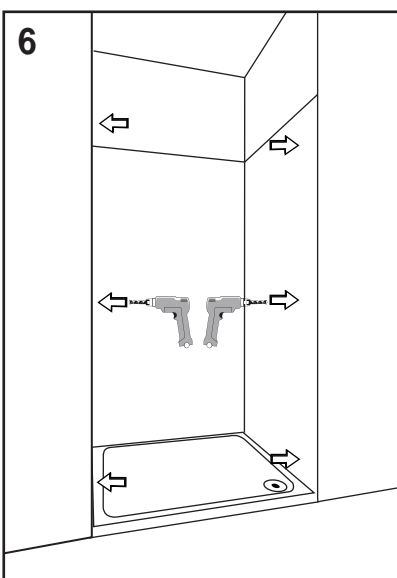
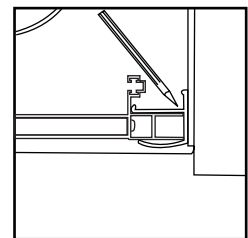
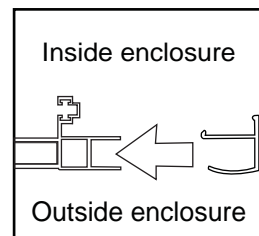
## INSTALLATION GUIDE AQUADART QUADRANT



5 - Push the wall channels ( item 4 ) onto the edges of the assembly as illustrated and then position the assembly onto the shower tray as shown ( roughly 10 mm from the front of the tray ).

Upright the wall channels using a spirit level and mark the 3 predrilled screw points through each of the wall channels onto the wall.

NOTE: you may find it easier to mark and drill the wall if you apply masking tape to it first.

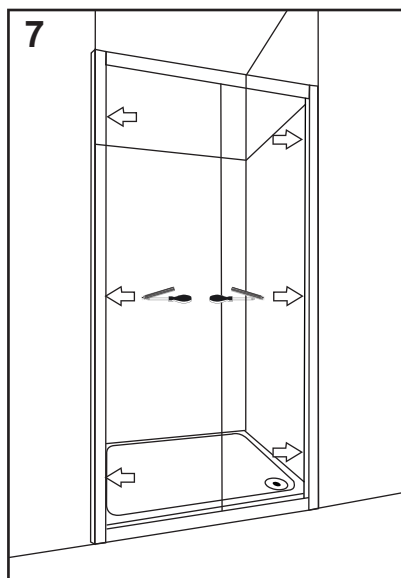


6 - Remove the assembly and drill the marked points using a 8mm masonry drill bit, once this is done insert 6 x wall plugs into the holes.

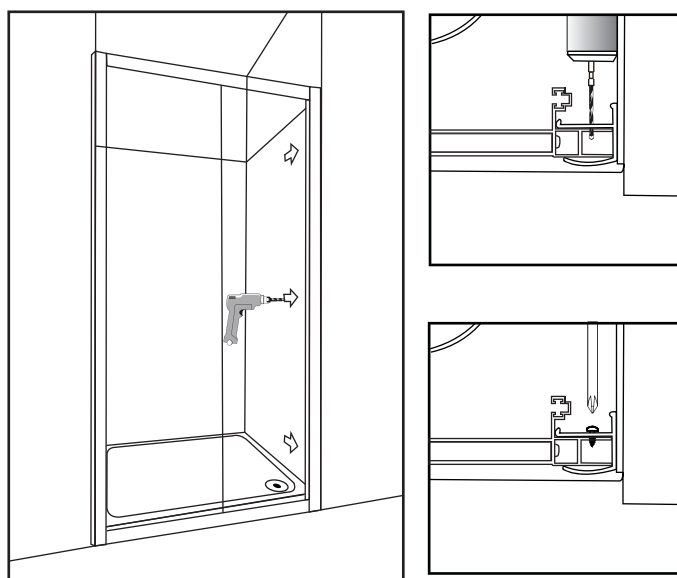
# ASSEMBLY GUIDE



## INSTALLATION GUIDE AQUADART QUADRANT



7 - Reposition the assembly and fix the wall channels to the walls using 6x ST4x45 long Screws (3 per channel)

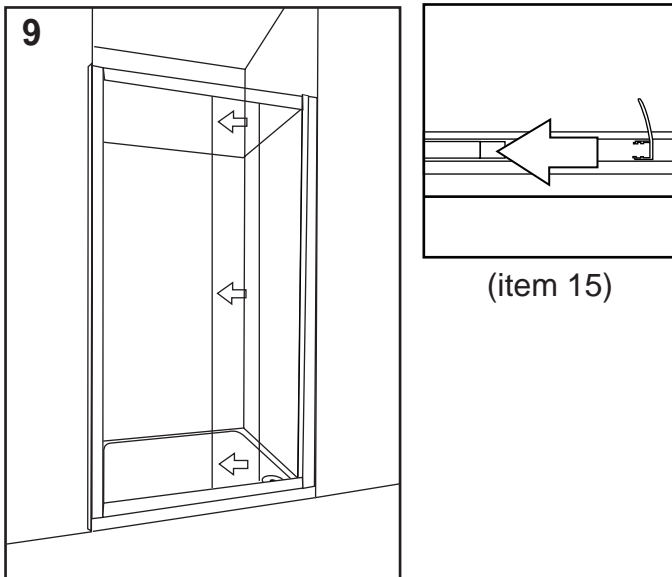


8 - Whilst using the available play to ensure that the assembly is central between the wall channels and held against the shower tray at the bottom fix the assembly to the wall channels by drilling through the pre drilled holes in the wall channels into the profiles using a 2.75mm metal drill bit. then secure using 6xST3.5x10 short Screws(3 per wall channel).

# ASSEMBLY GUIDE

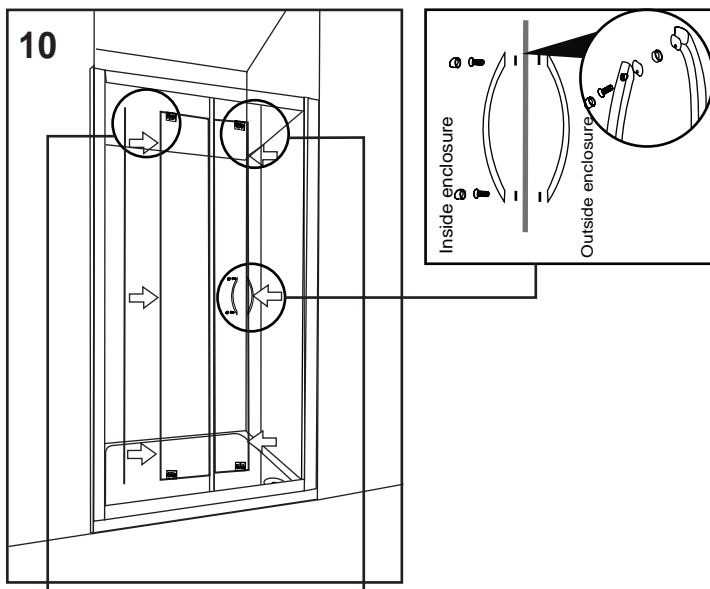


## INSTALLATION GUIDE AQUADART QUADRANT



9 - Push the shorter of the 2 water seals onto the exposed glass edge of the fixed panel, the flap should face into the shower as illustrated.

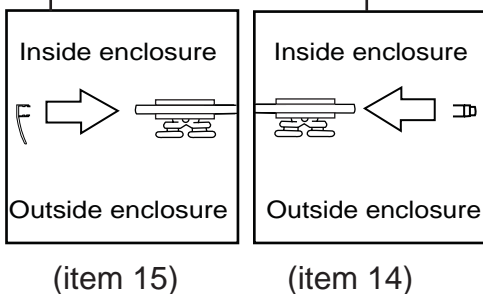
NOTE: If both water seals are the same size then some trimming may be required.



10 - Holding the door in the correct direction ( the support wheels should be facing away from the enclosure and the quick release wheels should be at the bottom of the door ) first attach the handle as shown; the handle with screw holes through it should go on the inside of the enclosure, make sure that the rubber washers that come with the handle are placed between the handles and the glass, then secure using the screws provided and push on the screw cover caps.

The next step is to push the longer water seal onto the edge of the door furthest from the handle ( the flap should face out of the enclosure).

Then push the magnet plastic extrusion onto the edge closest to the handle



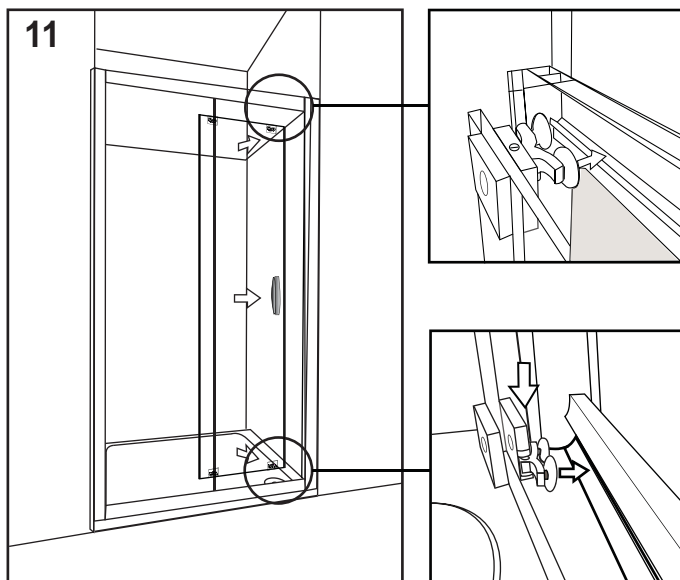
(item 15)

(item 14)

# ASSEMBLY GUIDE

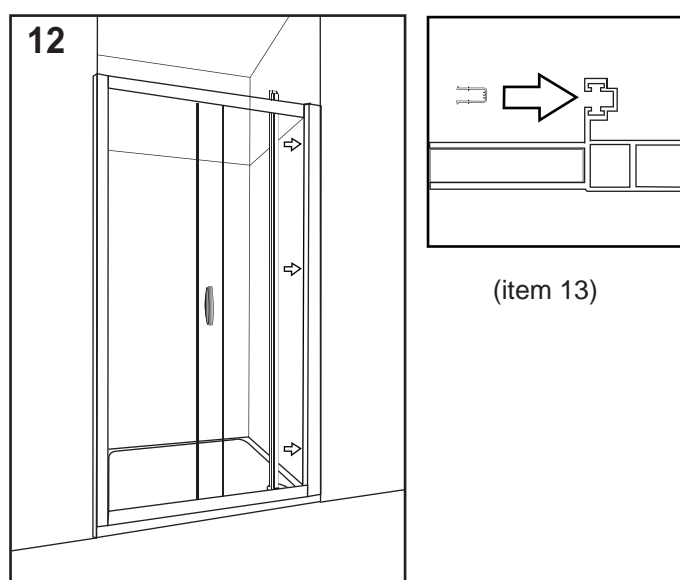


## INSTALLATION GUIDE AQUADART QUADRANT



11 - once the door is ready it needs to be hung in the enclosure, start by lifting the door up and guiding the top support wheels into the top horizontal profile, then using the quick release mechanism on the bottom wheels guide them into the bottom horizontal profile as shown.

If the wheels do not fit into the profile, the door can be lowered by adjusting the top runners. The bottom runners are also adjustable



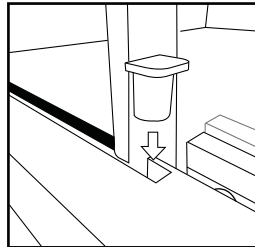
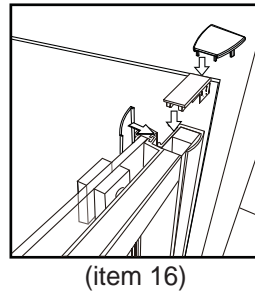
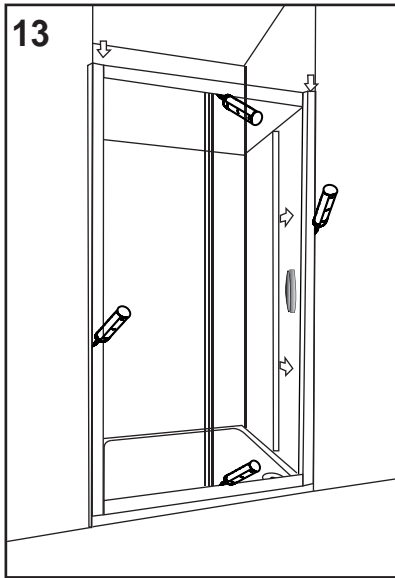
12 - take the magnet (item 13) and slide it into the magnet profile as illustrated make sure that it is the correct way around and will attract the door magnet to make a tight seal when closed.

(item 13)

# ASSEMBLY GUIDE



## INSTALLATION GUIDE AQUADART QUADRANT



13 - Once you are happy that the installation is correct and that the door is running smoothly, push the cover caps onto the edges and tops of the wall channel as shown, (smaller top cap first followed by the larger wall channel top cap) then the wall channels snap on cover) then silicone the outside of the enclosure where the metal profiles meet the walls and the tray.

To finally seal the installation, plug the small holes at the end of the fixed panel glass with a dab of silicone and insert the seal stoppers as illustrated (item 16).

Do not use the enclosure for 24 hours.