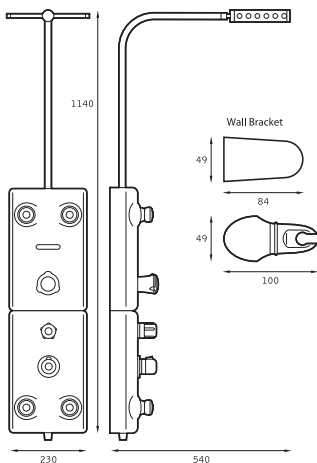


Thermostatic shower tower



Operating Features

- Thermostatic temperature control
- Automatic shutdown if hot or cold supply fails
- Adjustable maximum temperature stop
- Separate flow, diverter and temperature controls
- Numbered temperature control
- Adjustable showerhead
 - Single spray pattern
- Rub clean handset
 - Single spray pattern
- Four rub clean body jets

Temperature Control	Thermostatic
Plumbing System Compatibility	High pressure
Inlet Connections	1/2" BSP
Water Entry Points	Back
Outlet Connection	1/2" BSP
Minimum running pressure	2 Bar
Maximum running pressure	6 Bar
Maximum static pressure	7 Bar
Exposed Wall Mounted Only	
Approvals	Complies BS EN 1111
Guarantee	1 year

Finish	Code
Chrome	SHTW250T