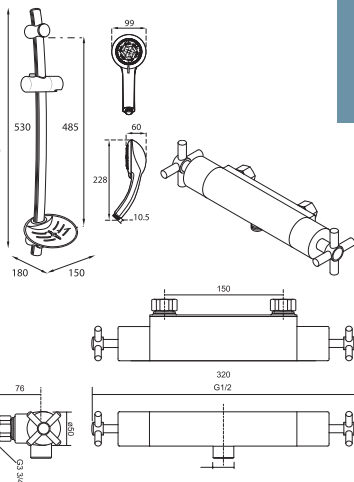


Unichrome Mersey Bar Mixer

thermostatic mixer shower



Temperature Control	Thermostatic
Plumbing System Compatibility	Low and high pressure
Inlet Connections	15mm Compression
Water Entry Points	Back
Outlet Connection	Bottom 1/2" BSP
Minimum Running Pressure/Flow	0.1Bar @ 8l/min
Maximum Running Pressure	5 Bar
Maximum Static Pressure	10 Bar
Open Outlet Flowrate at 0.1 Bar	5l/min
Flow Limiters Supplied	12l/min max flow
Approvals	Complies BS-En 1111, 1287
Guarantee	5 years

Operating Features

- Thermostatic to within 2°C
- Automatic shutdown if hot or cold supply fails
- Separate flow and temperature controls
- Rub clean showerhead – 5 spray patterns

Finish	Code
Chrome	UNMETHBM