

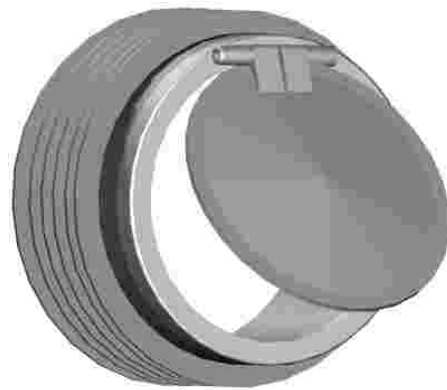
McALPINE

Plumbing Products

McALPINE ANTI - RODENT BARRIER



Closed Position



Open Position

Patents Pending.

CODE: ARB - 1

Fixing Instructions: -

- 1) Remove Outlet Ribbed Seal from McAlpine WC Connector and discard.
- 2) Pushfit Anti-Rodent Barrier onto the end of the WC Connector.
- 3) When fitted in the horizontal position, ensure that the hinge and alignment tag are fitted at the top.
- 4) When fitted in the vertical position, ensure that the hinge and alignment tag are fitted at the back.