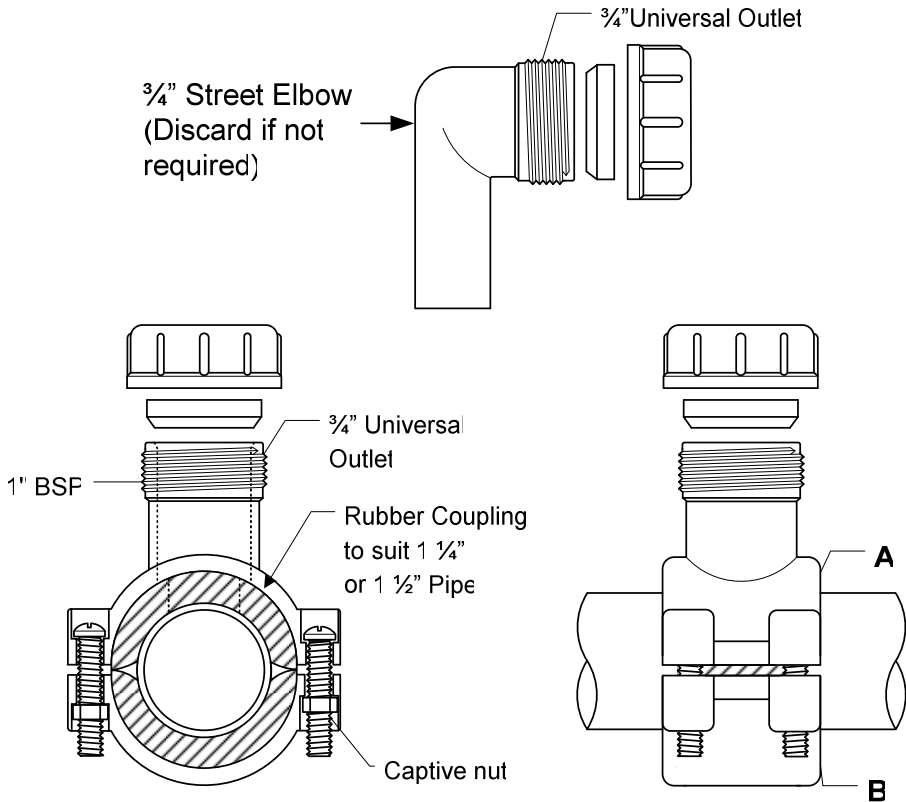


Clamp1GR/ Clamp1WH



- The Clamp is suitable for use with 1 1/4" & 1 1/2" plastic waste pipe to BS5254 BS5255
- The clamp should always be installed in a vertical position
- Establish the position where the clamp is to be installed and drill a hole to a maximum diameter of 15mm. Ensure that the hole is clean and that the edge is smooth
- Select the appropriate 1 1/4" or 1 1/2" rubber seals and place over the locating spigots on A and B
- Place part A over the waste pipe making sure that the hole in the seal is directly over the hole in the pipe. Place part B on the underside and use the four screws provided to screw from the top through parts A and B to secure joint
- Universal outlet suitable for 19/23mm outside diameter overflow pipe