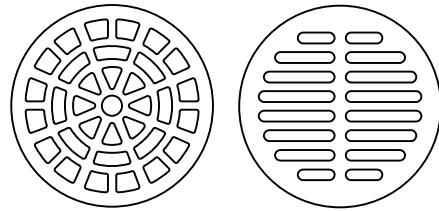
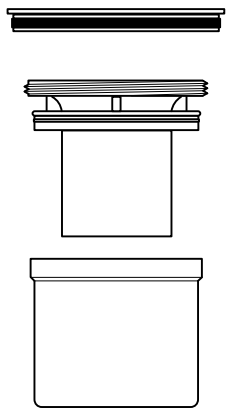


Installation Instructions For:
ST90CPB-P-70
ST90CPB-S-70

90mm x 50mm WATER SEAL SHOWER TRAP

1.

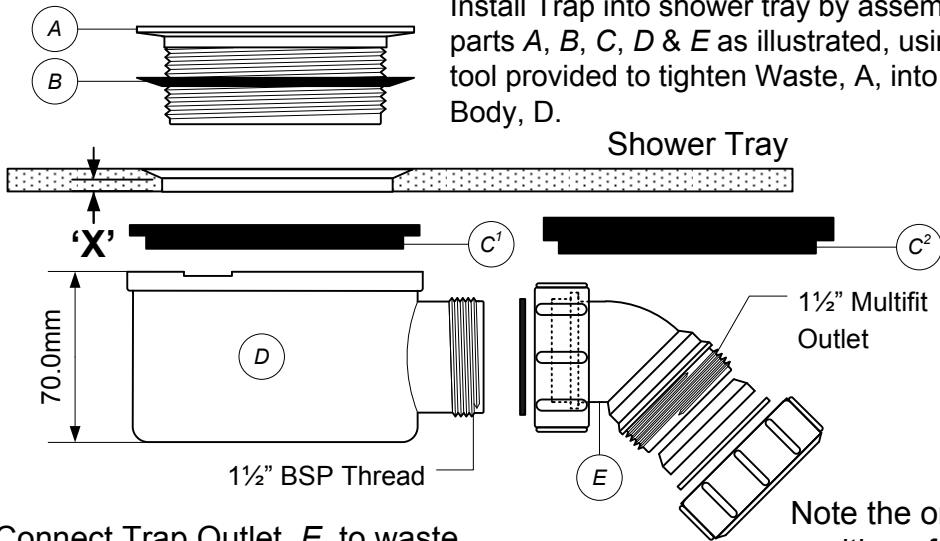


Petal Grid Slotted Grid

The Trap provides a flow rate of 34 litres per minute when tested in accordance with EN274-2:2002. The flow rate can be seriously impaired if an adequate fall is not maintained throughout the length of the waste pipe.

In order to maintain a high performance flow rate, two sealing washers are supplied. If the thickness of the waste outlet hole, 'X' measures over 6mm, the thinner washer, C¹, should be used. If less than 6mm, use the thicker washer, C².

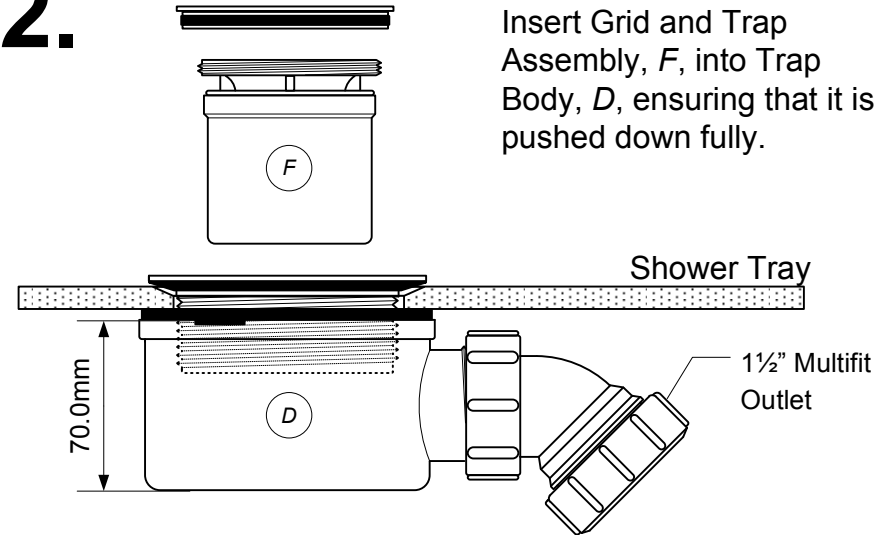
Install Trap into shower tray by assembling parts A, B, C, D & E as illustrated, using tool provided to tighten Waste, A, into Trap Body, D.



Connect Trap Outlet, E, to waste pipe, ensuring that the pipe is adequately supported. Test the installation.

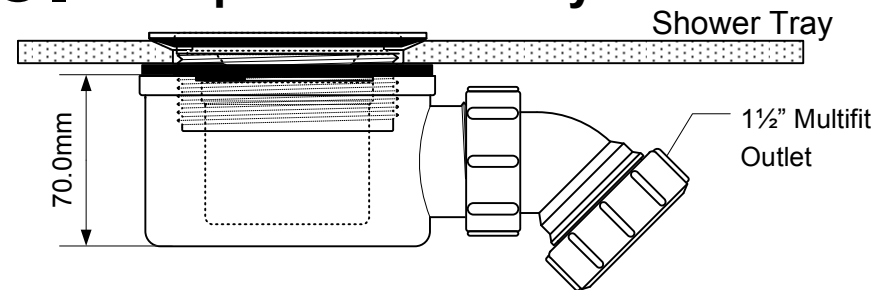
Note the order and position of the Sealing Washers. Failure to do so can result in water leakage.

2.



Insert Grid and Trap Assembly, F, into Trap Body, D, ensuring that it is pushed down fully.

3. Completed Assembly



After Care:

Regular maintenance is essential to retain a high performance flow rate. Remove the Grid and Trap Assembly, F, and thoroughly clean all the parts. Flush through the Trap Body with clean water and carefully replace the parts.